

# BPW

## H45~H240 series

Applicative units for: Chemical industry, Pure water system ...etc

Working Pressure: 0.98Mpa (10kgf/cm<sup>2</sup>)

Working Temp. Depending on fluid consistency

Connection: Wafer Type

Suitable actuator: H45~H240 model



H45-BPW

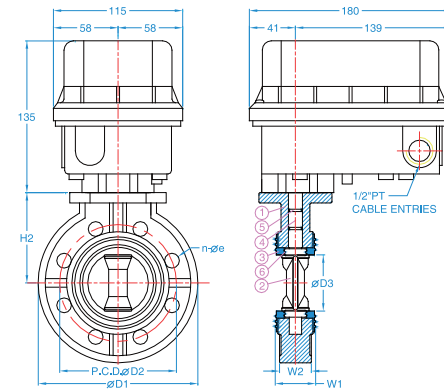
H115-BPW

H150-BPW

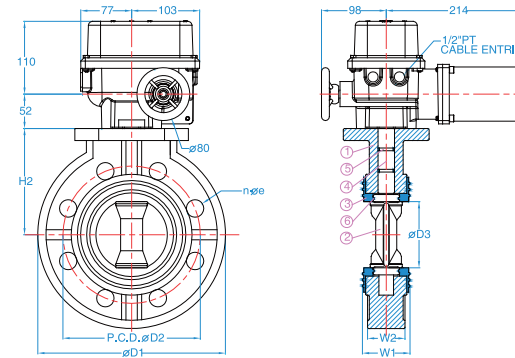
| ITEM | PARTS     | MATERIAL    |
|------|-----------|-------------|
| 1    | BODY      | PVC/PP/PVDF |
| 2    | DISC      | PVC/PP/PVDF |
| 3    | STEM SEAL | EPDM/FPM    |
| 4    | STEM      | SUS410      |
| 5    | O-RING    | EPDM / FPM  |
| 6    | O-RING    | EPDM / FPM  |

Unit [mm]

| IN | SIZE | D1  | D2  |       |     | øD3  | H2  | W1 | W2 | n   |      |     | øe  |      |     |
|----|------|-----|-----|-------|-----|------|-----|----|----|-----|------|-----|-----|------|-----|
|    |      |     | JIS | ANSI  | DIN |      |     |    |    | JIS | ANSI | DIN | JIS | ANSI | DIN |
| 2  | 50   | 165 | 120 | 120.4 | 125 | 56.5 | 103 | 42 | 35 | 4   | 4    | 4   | 19  | 19   | 18  |
| 2½ | 65   | 185 | 140 | 139.4 | 145 | 70   | 113 | 46 | 37 | 4   | 4    | 4   | 19  | 19   | 18  |
| 3  | 80   | 200 | 150 | 152.4 | 160 | 79   | 115 | 46 | 37 | 8   | 4    | 8   | 19  | 19   | 18  |
| 4  | 100  | 229 | 175 | 190.5 | 180 | 103  | 135 | 56 | 47 | 8   | 8    | 8   | 19  | 19   | 18  |
| 5  | 125  | 256 | 210 | 216   | 210 | 130  | 150 | 66 | 50 | 8   | 8    | 8   | 23  | 22   | 18  |
| 6  | 150  | 285 | 240 | 241.5 | 240 | 151  | 177 | 71 | 62 | 8   | 8    | 8   | 23  | 22   | 23  |
| 8  | 200  | 343 | 290 | 298.5 | 290 | 200  | 210 | 87 | 68 | 12  | 8    | 8   | 23  | 23   | 23  |



| Model No.   | H45A2250-BPW--                                 | H70A2275-BPW--      | H115A2215-BPW--         | MH42A2250-BPW--                 | MH67A2275-BPW--     |
|---|--|---------------------|-------------------------|---------------------------------|---------------------|
| Size range  | DN50 to DN65                                   | DN50 to DN80        | DN50 to DN80            | DN50 to DN80                    | DN50 to DN80        |
| Voltage supply 50/60Hz  | AC220V ±10%                                    | AC220V ±10%         | AC220V ±10%             | AC220V ±10%                     | AC220V ±10%         |
| Control Signal  | ON-OFF   | ON-OFF              | ON-OFF                  | 0/4~20mA , 1/2~10mA , 0/2-10Vdc |                     |
| Running Current   | 0.2A   | 0.2A                | 0.3A                    | 0.2A                            | 0.2A                |
| Timing Nominal Driving quarter turn to open / close gate of valve | 50Hz   | 60sec               | 95sec                   | 60sec                           | 95sec               |
|   | 60Hz   | 50sec               | 75sec                   | 50sec                           | 75sec               |
| Motor Power   | 10W  | 10W                 | 35W                     | 10W                             | 10W                 |
| Performance Operation   | Consecutive running                            | Consecutive running | Non consecutive running | Consecutive running             | Consecutive running |
| Insulation level  | E class  |                     |                         |                                 |                     |
| Waterproof level  | IP66   |                     |                         |                                 |                     |
| Storage Temp. Range   | -10℃ to 50℃                                    |                     |                         |                                 |                     |
| Operating Humidity Range  | 5 to 90% RH                                    |                     |                         |                                 |                     |
| Electrical connection   | 1/2" cable connector                           |                     |                         |                                 |                     |
| Diameter of cable   | 1.25mm   |                     |                         |                                 |                     |
| Optional Items  | Auxiliary switches 2(SPDT) / Potentiometer 1KΩ |                     |                         | 4~20mA Feedback                 |                     |



## H150~H240

BPW series

| Model No.   | H150A2208-BPW--                                | H220A2240-BPW--     | H240A2280-BPW--     | MH200A2240-BPW--                | MH220A2280-BPW--    |
|---|--|---------------------|---------------------|---------------------------------|---------------------|
| Size range  | DN100 to DN150                                 | DN100 to DN150      | DN100 to DN200      | DN100 to DN150                  | DN100 to DN150      |
| Voltage supply 50/60Hz  | AC220V ±10%                                    | AC220V ±10%         | AC220V ±10%         | AC220V ±10%                     | AC220V ±10%         |
| Control Signal  | ON-OFF   | ON-OFF              | ON-OFF              | 0/4~20mA , 1/2~10mA , 0/2-10Vdc |                     |
| Running Current   | 1A   | 0.5A                | 0.5A                | 0.5A                            | 0.5A                |
| Timing Nominal Driving quarter turn to open / close gate of valve | 50Hz   | 9sec                | 50sec               | 100sec                          | 100sec              |
|   | 60Hz   | 8sec                | 40sec               | 80sec                           | 80sec               |
| Motor Power   | 185W   | 80W                 | 80W                 | 80W                             | 80W                 |
| Performance Operation   | Non consecutive running                        | Consecutive running | Consecutive running | Consecutive running             | Consecutive running |
| Insulation level  | E Class  |                     |                     |                                 |                     |
| Waterproof level  | IP66   |                     |                     |                                 |                     |
| Storage Temp. Range   | -10℃ to 50℃                                    |                     |                     |                                 |                     |
| Operating Humidity Range  | 5 to 90% RH                                    |                     |                     |                                 |                     |
| Electrical connection   | 1/2" cable connector                           |                     |                     |                                 |                     |
| Diameter of cable   | 1.25mm   |                     |                     |                                 |                     |
| Optional Items  | Auxiliary switches 2(SPDT) / Potentiometer 1KΩ |                     |                     | 4~20mA Feedback                 |                     |